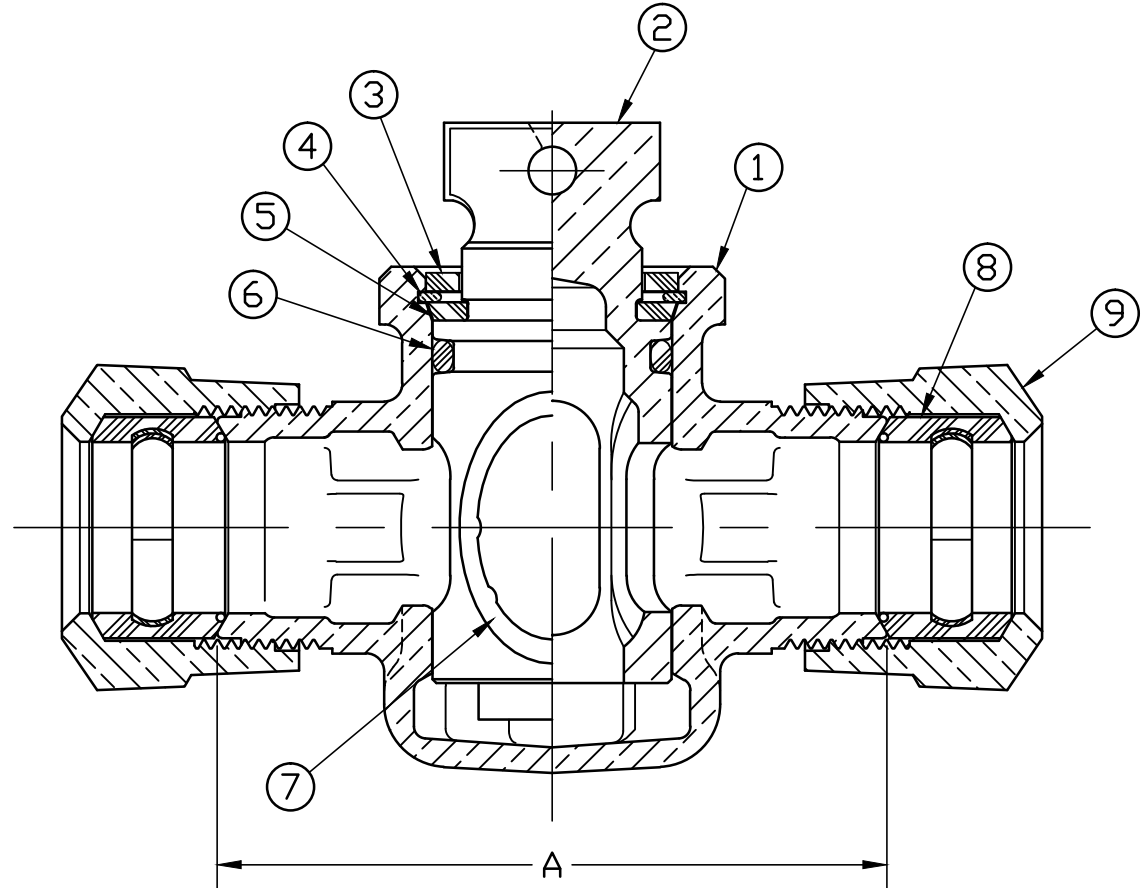


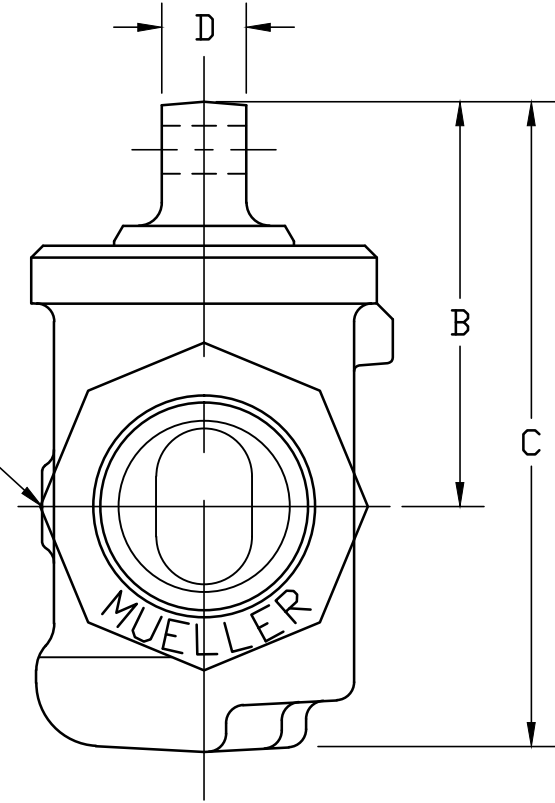
SIZE	A	B	C	D
3/4"	3.49	2.11	3.36	.44

No.	QTY.	DESCRIPTION	MATERIAL
1	1	BODY	LOW LEAD BRASS ALLOY
2	1	KEY	LOW LEAD BRASS ALLOY
3	1	TOP SEAL	RUBBER, MUELLER RUBBER CODE R8
4	1	RETAINING RING	BRONZE ASTM B103 ALLOY C52100
5	1	THRUST WASHER	CELCON GRADE M90 CF2001
6	1	TOP O-RING	RUBBER, ASTM D-2000 (EPDM
7	1	PORT O-RING	RUBBER, ASTM D-2000 (EPDM
8	2	CTS GSKT SUB	SBR D2000 - GSKT 410ss - BAND
9	2	CONN. NUT	CAST BRASS ASTM B62 ALLOY C83600

LUBE PER MUELLER ESP E-95 }



DRAIN HOLE ON H-1521906N ONLY



ALL WETTED PARTS ARE LOW LEAD BRASS ALLOY

FILEPATH: PROD-ENG\MUELLER\APPROVED\H1520906N W/O DRAIN H1521906N W/ DRAIN

PART NUMBER
H1520906N W/O DRAIN
H1521906N W/ DRAIN
80-MRKT

TITLE TO AND OWNERSHIP OF THIS ENGINEERING DATA REMAINS IN Mueller Co. NO USE IS TO BE MADE OF THIS DATA EXCEPT AS SPECIFICALLY AUTHORIZED BY Mueller Co. ASSENT ON THE PART OF THE RECIPIENT TO THESE CONDITIONS IS PRESUMED

REV	ECR	DESCRIPTION	DATE	BY	CHKR

DRFTR RWB 5/12/15
CHKR
ENGR
MGR
BY DATE
STK No:
MAT'L:
DESCR.



UNLESS OTHERWISE NOTED
SURFACE PREPARATION:
BREAK CORNER(S) ---- .000
SURFACE FINISH -- XX RMS
TOLERANCE(S):
LINEAR ----- ± .016
ANGULAR ----- ± 0°30'

THIRD ANGLE PROJECTION
REF. No. SCALE
FULL

PER EST NO: DXXXX EST FIN WT = 0.0000 lbs

H1520906N W/O DRAIN / H1521906N W/ DRAIN
MARK II LLB DRISEAL VALVE (PHASE III)
CTS 110 x CTS 110

PART NUMBER
H1520906N W/O DRAIN
H1521906N W/ DRAIN